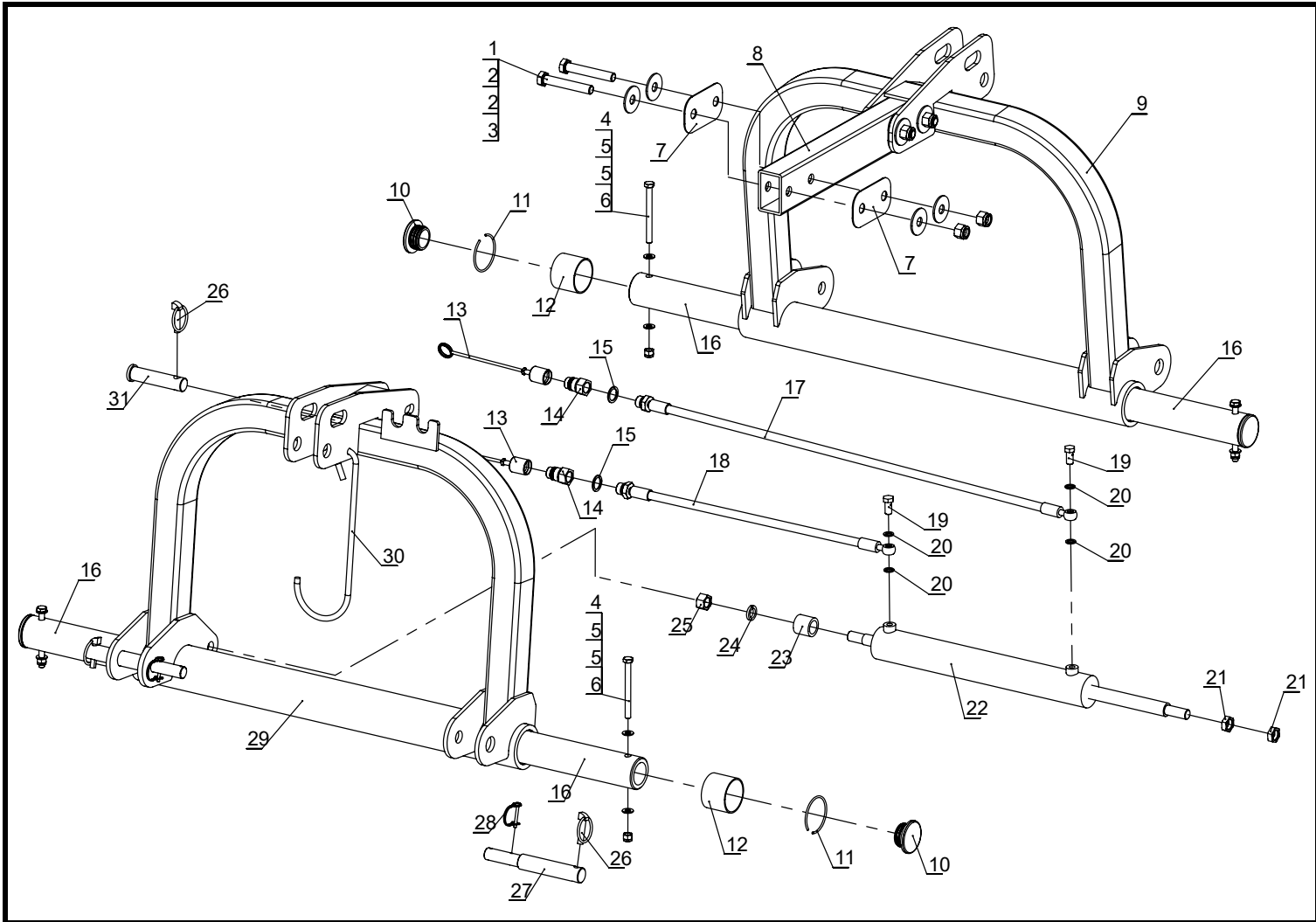


ASSEMBLY DRAWING LIST



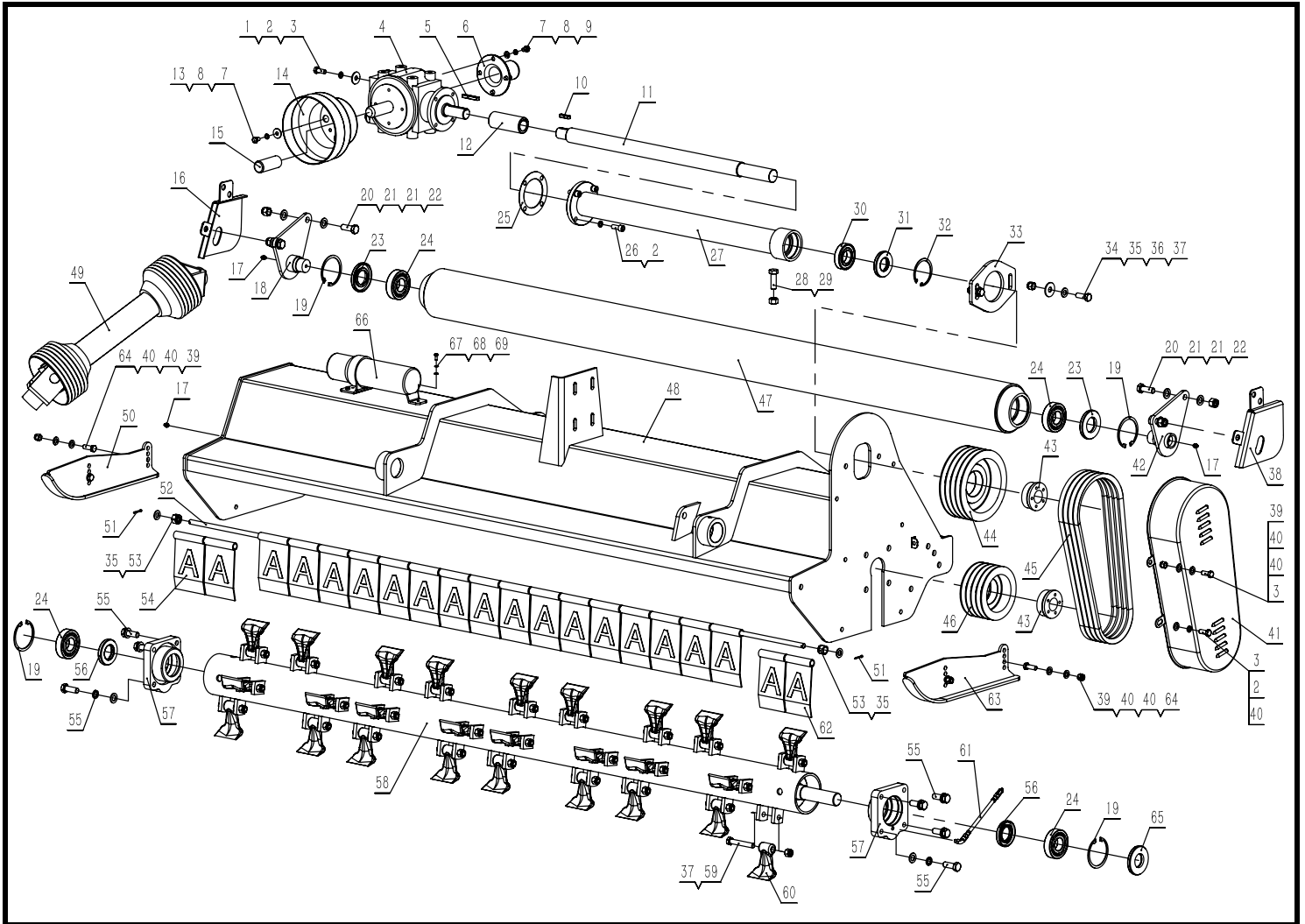
KDX three-point linkage

| Ser.No | Code | Name & Specification | Quantity | Remarks |
|--------|---------|------------------------|----------|-------------------------------|
| 1 | B000040 | Bolt M16×100 | 4 | KDX |
| 2 | W000012 | Big washer 16 | 8 | KDX |
| 3 | N000033 | Lock nut M16 | 4 | KDL, KDS, KDX, KDXP, KM, KMHP |
| 4 | N000030 | Lock nut M10 | 4 | KDL, KDS, KMHP, KDX, KDXP, KS |
| 5 | W000014 | Washer 10 | 8 | KDL, KDS, KMHP, KDX, KDXP, KS |
| 6 | B000023 | Bolt M10×80 | 4 | KDX180-200 |
| | B000016 | Bolt M10×110 | 4 | KDX220-240, KDXP180-240 |
| 7 | 400008 | Suspension plate | 4 | KDX |
| 8 | 400009 | Connecting square tube | 1 | KDX |
| 9 | 400010 | Front riser Linkage | 1 | KDX180-200 |
| | 400011 | Front riser Linkage | 1 | KDX220-240 |
| 10 | 400012 | Round pipe plug | 4 | KDX220-240 |

KDX three-point linkage

| Ser.No | Code | Name & Specification | Quantity | Remarks |
|--------|---------|-----------------------------------|----------|--------------------------------|
| 11 | S000015 | Circlip for hole 45 | 4 | KDX180-200, KMH, KMHP |
| | S000016 | Circlip for hole 65 | 4 | KDX220-240, KDXP180-240 |
| 12 | 200023 | Self-lubricating bearing 40×44×50 | 4 | KDX180-200, KDL, KMH, KMHP |
| | 400016 | Self-lubricating bearing 60×65×50 | 4 | KDX220-240, KDXP180-240 |
| 13 | 200004 | Quick change connector cover | 2 | KDL, KDS, KDX, KDXP, KMH, KMHP |
| 14 | 200005 | Hose Quick connector G1/2 | 2 | KDL, KDS, KDX, KDXP, KMH, KMHP |
| 15 | 200006 | Combination washer G1/2 | 2 | KDL, KDS, KDX, KDXP, KMH, KMHP |
| 16 | 400020 | Slide pipe | 2 | KDX180-200 |
| | 400021 | Slide pipe | 2 | KDX220-240, KDXP180-240 |
| 17 | 200010 | Hose 1900mm | 1 | KMH, KMHP, KDX, KDXP |
| 18 | 200007 | Hose 1500mm | 1 | KMH, KMHP, KDX, KDXP |
| 19 | 200008 | Hollow bolt | 2 | KDL, KDS, KDX, KDXP, KMH, KMHP |
| 20 | 200009 | Combination washer 12 | 4 | KDL, KDS, KDX, KDXP, KMH, KMHP |
| 21 | N000018 | Thin nut M18×1.5 | 2 | KMH, KMHP, KDX, KDXP |
| 22 | 200014 | Cylinder | 1 | KDX180-200, KMH, KMHP |
| | 400028 | Cylinder | 1 | KDX220-240, KDXP180-240 |
| 23 | 200013 | Cylinder sleeve | 1 | KMH, KMHP, KDX, KDXP |
| 24 | W000005 | Spring washer 18 | 1 | KMH, KMHP, KDX, KDXP |
| 25 | N000012 | Nut M18×1.5 | 1 | KMH, KMHP, KDX, KDXP |
| 26 | 100003 | Lock pin | 3 | KDL, KDX, KDXP, KM, KMHP |
| 27 | 400033 | Lower pin | 2 | KDX |
| 28 | 400034 | Lock pin 4.5 | 2 | KDX, KDXP |
| 29 | 400035 | Rear riser Linkage | 1 | KDX180-200 |
| | 400036 | Rear riser Linkage | 1 | KDX220-240 |
| 30 | 100002 | Hook | 1 | KDL, KDS, KDX, KDXP, KM, KMHP |
| 31 | 400038 | Upper linkage pin | 1 | KDL, KDX, KDXP |

ASSEMBLY DRAWING LIST



KDX series

| Ser.No | Code | Name & Specification | Quantity | Remarks |
|--------|---------|-------------------------|----------|-----------------------------------|
| 1 | W000010 | Big washer 12 | 4 | KDL, KDS, KM, KMHP, KDX, KDXP |
| 2 | W000002 | Spring washer 12 | 10 | KDL, KDS, KM, KMHP, KDX, KDXP |
| 3 | B000084 | Bolt M12×30 | 8 | KDL, KDS, KM, KMHP, KDX, KDXP |
| 4 | 400042 | Gearbox | 1 | KMHP, KDX, KDXP |
| 5 | K000009 | Key A10×65 | 1 | KM, KMHP, KDX, KDXP |
| 6 | 400044 | Shaft protection | 1 | KMHP, KDX, KDXP |
| 7 | B000073 | Bolt M10×16 | 8 | KDL, KDS, KM, KMHP, KDX, KDXP |
| 8 | W000001 | Spring washer 10 | 8 | KDL, KDS, KM, KMHP, KDX, KDXP, KS |
| 9 | W000014 | Washer 10 | 4 | KDL, KDS, KMHP, KDX, KDXP, KS |
| 10 | K000001 | Key A10×40 | 1 | KM, KMHP, KDX, KDXP |
| 11 | 400049 | Drive shaft for 180/220 | 1 | KDX180-220, KDXP180-220 |
| | 400050 | Drive shaft for 240 | 1 | KDX240, KDXP240 |

KDX series

| Ser.No | Code | Name & Specification | Quantity | Remarks |
|--------|----------|--------------------------------|----------|-----------------------------------|
| 12 | 100060 | Drive shaft tube | 1 | KM, KMHP, KDX, KDXP |
| 13 | W000009 | Big washer 10 | 4 | KDL, KDS, KM, KMHP, KDX, KDXP, KS |
| 14 | 000024 | PTO protection | 1 | KDL, KDS, KM, KMHP, KDX, KDXP |
| 15 | 000030 | Gear box shaft cover | 1 | KDL, KDS, KM, KMHP, KDX, KDXP, KS |
| 16 | 400055 | Right roller protect | 1 | KDL, KDX |
| 17 | 600078 | Grease Nipples M10 | 3 | KDL, KDX, KDXP, KMHP |
| 18 | 500043 | Hanging plate (Right) | 1 | KDL, KDX, KDXP |
| 19 | S000010 | Circlip for hole 90 | 4 | KDL, KDX, KDXP |
| 20 | B000103 | Bolt M16×45 | 4 | KDL, KDX, KDXP |
| 21 | W000017 | Washer 16 | 8 | KDL, KDX, KDXP |
| 22 | N000033 | Lock nut M16 | 4 | KDL, KDX, KDXP, KM, KMHP |
| 23 | OS000008 | Oil seal 45×90×10 | 2 | KDL, KDX, KDXP |
| 24 | 400063 | Bearing 6308-RZ | 4 | KDL, KDX, KDXP |
| 25 | 100030 | Paper washer | 1 | KM, KMHP, KDX, KDXP |
| 26 | B000146 | Hex cylinder head screw M12×35 | 4 | KM, KMHP, KDX, KDXP |
| 27 | 400066 | Drive shaft tube for 200/220 | 1 | KDX180-220, KDXP180-220 |
| | 400067 | Drive shaft tube for 240 | 1 | KDX240, KDXP240 |
| 28 | B000130 | Bolt M16×1.5×50 | 1 | KM, KDX |
| 29 | N000011 | Ordinary nut M16×1.5 | 1 | KM, KDX |
| 30 | 400070 | Bearing 6208-2RZ | 1 | KDX, KDXP |
| 31 | OS000011 | Oil seal 40×80×10 | 1 | KDX, KDXP |
| 32 | S000009 | Circlip for hole 80 | 1 | KDX, KDXP |
| 33 | 400073 | Drive shaft support plate | 1 | KDX |
| 34 | B000097 | Bolt M14×40 | 2 | KM, KDX, KDXP |
| 35 | W000016 | Washer 14 | 4 | KDL, KM, KDX, KDXP |
| 36 | W000011 | Big washer 14 | 2 | KM, KDX |
| 37 | N000032 | Lock nut M14 | N | KDL, KM, KDX, KDXP, KS |
| 38 | 400078 | Left roller protect | 1 | KDL, KDX |
| 39 | N000031 | Lock nut M12 | 6 | KDL, KDS, KM, KMHP, KDX, KDXP, KS |
| 40 | W000015 | Washer 12 | 14 | KDL, KDS, KM, KMHP, KDX, KDXP, KS |
| 41 | 400081 | Belt cover | 1 | KDX |
| 42 | 400082 | Hanging plate (Left) | 1 | KDL, KDX, KDXP |
| 43 | 400083 | Tension 40×80 | 2 | KDL, KDX, KDXP |
| 44 | 400084 | Big pulley | 1 | KDX, KDXP |
| 45 | 400085 | Belt 17×1260 | 4 | KDX |
| 46 | 400086 | Small pulley | 1 | KDX, KDXP |
| 47 | 500054 | Back roller for 180 | 1 | KDL, KDX, KDXP |
| | 400087 | Back roller for 200 | 1 | KDL, KDX, KDXP |
| | 400088 | Back roller for 220 | 1 | KDL, KDX, KDXP |
| | 400089 | Back roller for 240 | 1 | KDX, KDXP |

KDX series

| Ser.No | Code | Name & Specification | Quantity | Remarks |
|--------|----------|---|----------|-----------------------------------|
| 48 | 418000 | Main body for 180 | 1 | KDX |
| | 400090 | Main body for 200 | 1 | KDX |
| | 400091 | Main body for 220 | 1 | KDX |
| | 400092 | Main body for 240 | 1 | KDX |
| 49 | 400093 | PTO Shaft 05B1000 | 1 | KDX, KDXP |
| 50 | 400094 | Adjust plate (right) | 1 | KDL, KDX, KDXP |
| 51 | P000005 | Cotter pin $\varnothing 4 \times 25$ | 2 | KDL, KDS, KM, KMHP, KDX, KDXP, KS |
| 52 | 500110 | Baffle shaft for 180 | 1 | KDL, KDX, KDXP |
| | 400096 | Baffle shaft for 200 | 1 | KDL, KDX, KDXP |
| | 400097 | Baffle shaft for 220 | 1 | KDL, KDX, KDXP |
| | 400098 | Baffle shaft for 240 | 1 | KDX, KDXP |
| 53 | N000034 | Lock nut M18 | 2 | KDL, KDX, KDXP |
| 54 | 400100 | Big baffle | N | KDL, KDX |
| 55 | 400101 | Combination bolt M16 \times 40 | 8 | KDL, KDX, KDXP |
| 56 | OS000009 | Oil seal 45 \times 80 \times 10 | 2 | KDL, KDX, KDXP |
| 57 | 400103 | Bearing housing | 2 | KDL, KDX, KDXP |
| 58 | 410000 | Main roller for 180 | 1 | KDX, KDXP |
| | 400104 | Main roller for 200 | 1 | KDX, KDXP |
| | 400105 | Main roller for 220 | 1 | KDX, KDXP |
| | 400106 | Main roller for 240 | 1 | KDX, KDXP |
| 59 | B000039 | Bolt M14 \times 90 (10.9Level) | N | KDL, KDX, KDXP |
| 60 | 400108 | Hammer (14 mm Hole) | N | KDL, KDX, KDXP |
| 61 | 400109 | Lubrication hose | 1 | KDL, KDX |
| 62 | 400110 | Small baffle | N | KDL, KDX |
| 63 | 400111 | Adjust plate (left) | 1 | KDL, KDX, KDXP |
| 64 | B000085 | Bolt M12 \times 35 | 4 | KDL, KDS, KM, KMHP, KDX, KDXP, KS |
| 65 | OS000010 | Oil seal 40 \times 90 \times 10 | 1 | KDL, KDX, KDXP |
| 66 | 000029 | Instructions box | 1 | Optional |
| 67 | W000024 | Spring washer 6 | 3 | Optional |
| 68 | B000143 | Cross recessed pan head screws M6 \times 16 | 3 | Optional |
| 69 | W000025 | Washer 6 | 3 | Optional |